

Technical Data Sheet TI-A30 Mounting Flanges for Safety Catchers K and KR

General Informationen

The standard SITEMA Safety Catcher K and KR are supplied with a set of threaded boreholes to bolt the unit to the machine frame.

But often a mounting flange is required, because bolting from below is impossible or a floating attachment is necessary (see also „Technical Information TI-A10“, §14 „How to attach“).

Different mounting flanges for typical applications are listed below.

Additionally *page 3* shows coupling flanges for Spring Bases. *Page 4* shows mounting flanges for tensile versions of Safety Catchers.

Flange FL/SL (standing / floating)

For attachment of Safety Catchers K, KR and KRP on the machine frame

To avoid possible transverse forces it is often helpful to attach the safety catcher FL/SL **floating** on the machine frame.

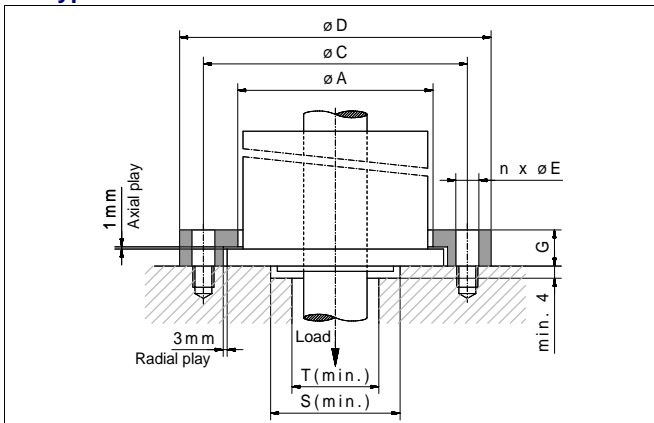
Floating coupling flanges for Safety Catcher K and KR are listed below.

Pressure must be supplied via a flexible line, in order to allow the desired three-dimensional motions of the housing. Please note, that there is no stop in torsional direction, so that the housing will be self-aligning to the forces applied by the connecting hose.

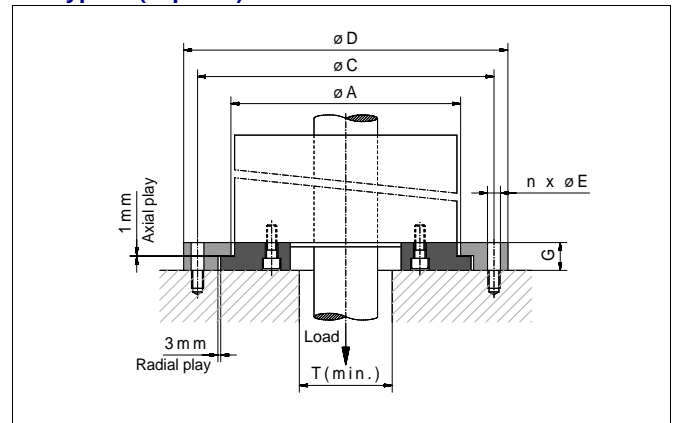
The mounting flanges for the two types K and KR are identical as far as function and application are concerned, but for design reasons (no shoulder at K-type flanges) the flange for type K safety catchers consists of two parts.

One part is at first bolted to the safety catcher from below, while the other one is then bolted to the machine frame.

For type KR



For type K (2 parts)



For type KR

Type	for Safety Catcher			D	C	A	G	E	n	T	S
				mm	mm	mm	mm	mm		mm	mm
FL/SL 25	KR 25	or	KRP 25	108	97	78	16	6,6	6x60°	32	47
FL/SL 40	KR 40	or	KRP 40	160	144	113	20	9	6x60°	47	59
FL/SL 56	KR 56	or	KRP 56	198	180	147	20	11	6x60°	63	77
FL/SL 80	KR 80	or	KRP 80	255	235	201	25	11	6x60°	87	107

For type K (2 parts)

Type	for Safety Catcher			D	C	A	G	E	n	T
				mm	mm	mm	mm	mm		mm
FL/SL 100	K 100	or	KRP 100	350	320	247	30	14	6x60°	107
FL/SL 125	K 125			370	330	277	35	18	4x90°	132
FL/SL 140	K 140			420	380	327	35	18	4x90°	147

Subject to modification without prior notice

Flange FL/SF (standing / fixed)

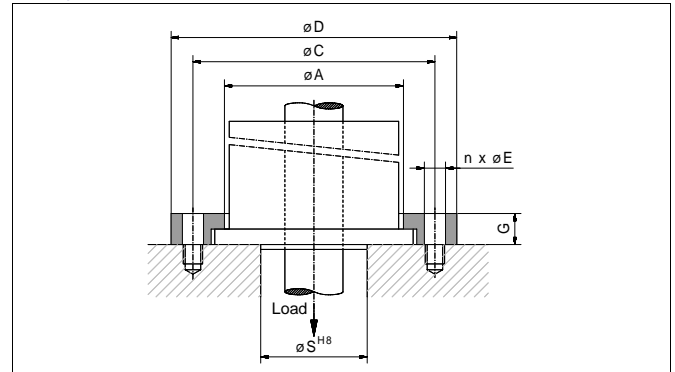
For attachment of Safety Catchers KR and KRP on the machine frame or travelling overhead with the slide

Alternatively to the fixation by bolting from below, the mounting flange FL/SF can be used to fix the safety catcher to the machine frame.

In this case it has to be ensured, that the retaining rod has sufficient clearance at its attachment so that no transverse forces can be induced to the clamping device.

This standard flange is only available for KR and KRP-type safety catchers. Nevertheless, fixed flange attachments for K_{ty}e units are available on request. Please ask for details.

For type KR and KRP



For type KR and KRP

Type	for Safety Catcher			D	C	A	G	E	n	S
				mm	mm	mm	mm	mm		mm
FL/SF 25	KR 25	or	KRP 25	108	97	76	15	6,6	6x60°	40
FL/SF 40	KR 40	or	KRP 40	160	144	113	19	9	6x60°	52
FL/SF 56	KR 56	or	KRP 56	198	180	147	19	11	6x60°	70
FL/SF 80	KR 80	or	KRP 80	255	235	201	24	11	6x60°	100

Subject to modification without prior notice

Flange FL/HL (hanging / floating)

For attachment of Safety Catchers KR and KRP travelling with the slide

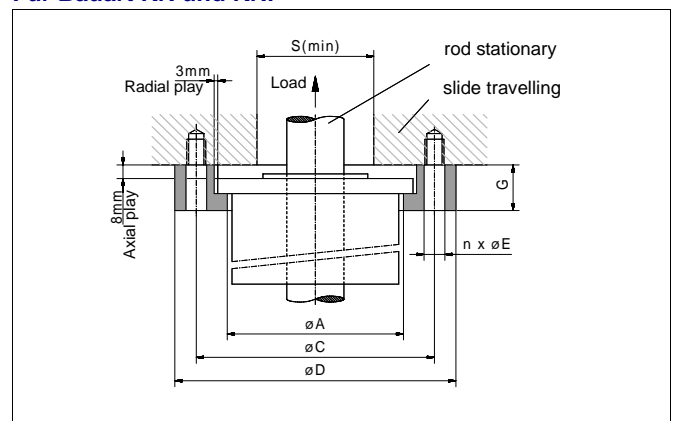
The floating flange FL/HL should be used, if the safety catcher is arranged attached to the slide from below and travelling with it, while the rod is fixed stationary to the machine frame (normally hanging).

Due to the axial play of 8 mm this flange additionally fulfils the function of the Spring-base „Technical Information TI-A10“, §13 „Attachment“.

Pressure must be supplied via a flexible line, in order to allow the desired three-dimensional motions of the housing. Please note, that there is no stop in torsional direction, so that the housing will be self-aligning to the forces applied by the connecting hose.

Due to the design, this flange is only available for KR and KRP-type safety catchers.

Für Bauart KR und KRP



For type KR and KRP

Type	for Safety Catcher			D	C	A	G	E	n	S
				mm	mm	mm	mm	mm		mm
FL/HL 25	KR 25	or	KRP 25	108	97	78	23	6,6	6x60°	47
FL/HL 40	KR 40	or	KRP 40	160	144	114	27	9	6x60°	59
FL/HL 56	KR 56	or	KRP 56	198	180	148	27	11	6x60°	77
FL/HL 70	KR 70	or	KRP 70	234	214	180	32	11	6x60°	97
FL/HL 80	KR 80	or	KRP 80	255	235	202	32	11	6x60°	107

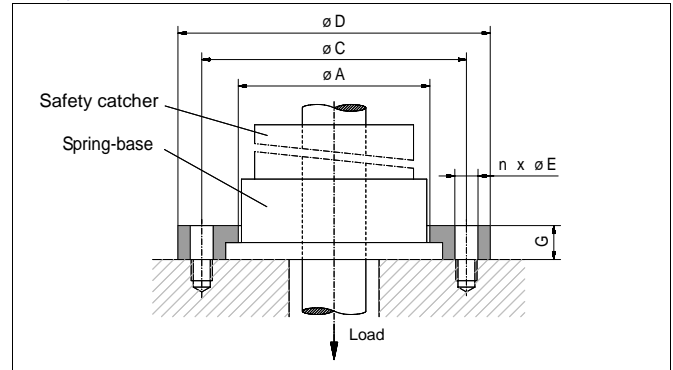
Subject to modification without prior notice

Flange FL/FS (spring-base)

For attachment of spring-bases FS on the machine frame

Alternatively to the bolting of the springbase from below, this flange can be used.

For type KR and KRP



For type KR and KRP

Type	for Spring-base	D	C	A	G	E	n
		mm	mm	mm	mm	mm	
FL/FS 25	FS 25	120	110	93	18	6,6	6x60°
FL/FS 40	FS 40	175	160	141	24	9	6x60°
FL/FS 56	FS 56	230	210	178	30	11	6x60°
FL/FS 80	FS 80	284	264	238	30	11	6x60°
FL/FS 100	FS 100	304	280	248	40	14	6x60°
FL/FS 125	FS 125	376	350	315	40	18	4x90°
FL/FS 140	FS 140	406	380	345	40	18	4x90°

Subject to modification without prior notice

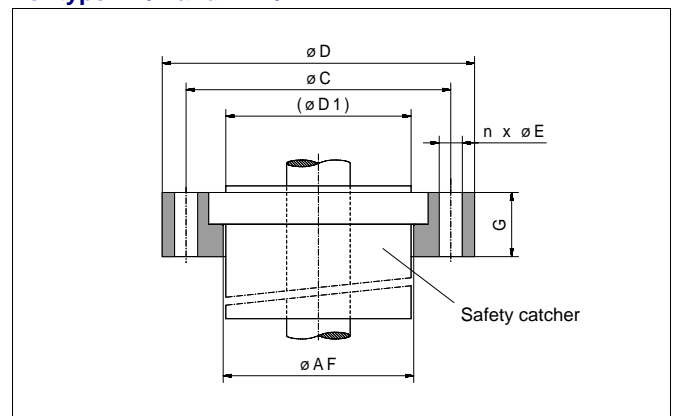
Mounting Flanges for type KR/T or KRP/T

Mounting flange fix - type FL/TF

If the retaining rod has sufficient clearance on the slide or load carrying device to move freely, the safety catcher can be centered and bolted on the machine frame.

The flange FL/TF offers the possibility to turn the ports in a desired direction before the housing is fixed by fastening the bolts.

For type KR/T and KRP/T



For type KR/T and KRP/T

Type	for safety Catcher			AF	C	D	G	E	n
				mm	mm	mm	mm	mm	
FL/TF 25	KR/T 25	or	KRP/T 25	74	112	129	30	11	6x60°
FL/TF 40	KR/T 40	or	KRP/T 40	109	153	175	40	14	8x45°
FL/TF 56	KR/T 56	or	KRP/T 56	143	200	236	50	17,5	8x45°
FL/TF 80	KR/T 80	or	KRP/T 80	197	270	310	70	22	12x30°

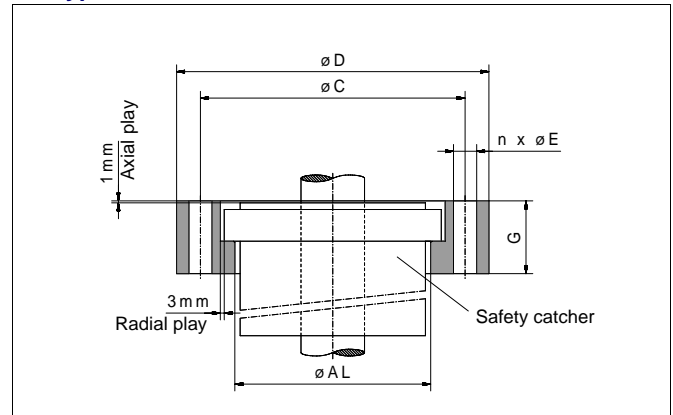
Subject to modification without prior notice

Mounting flange floating - type FL/TL

To avoid possible transverse forces it is often helpful to attach the safety catcher **floating** on the machine frame, using flange FL/TL. It allows the housing to move radial (3mm) and axial (1mm) as well as to tilt (approx. 0.25°).

Pressure must be supplied via a flexible line, in order to allow the desired three-dimensional motions of the housing. Please note, that there is no stop in torsional direction, so that the housing will be self-aligning to the forces applied by the connecting hose.

For type KR/T and KRP/T



For type KR/T and KRP/T

Type	for Safety Catcher			AL	C	D	G	E	n
				mm	mm	mm	mm	mm	
FL/TL 25	KR/T 25	or	KRP/T 25	79	112	129	33	11	6x60°
FL/TL 40	KR/T 40	or	KRP/T 40	114	153	175	44	14	8x45°
FL/TL 56	KR/T 56	or	KRP/T 56	148	200	236	55	17,5	8x45°
FL/TL 80	KR/T 80	or	KRP/T 80	202	270	310	76	22	12x30°

Subject to modification without prior notice